



JOB NAME _____

CONTACT _____

ORDERING CODE _____

ORDERING CODE		
LIGHT SOURCE	MLED ¹	Static White LED, 450lm
CCT	30K 35K	3000K 3500K
CRI	90	90 CRI
SHADE COLOR	950 951 952	clear amber blue
FINISH	BZ ³ CH ³ MC ³	bronze with brown braided cable chrome with clear braided cable matte chrome with clear braided cable
MOUNTING OPTIONS	P ² ECOBK ECOWH ECOMC GEOBK GEOWH GEOHC ZONMC	canopy pendant ECO/HALO black ECO/HALO white ECO/HALO matte chrome GEO black GEO white GEO matte chrome zonyx matte chrome

AURORA Canopy, Track SW



950 clear



951 amber



952 blue

ORDERING CODE _____

Follow the steps to specify your fixture, example:
MLED - 30K - 90 - 950 - MC - P

- NOTES**
1. For LED info see page 2.
 2. Canopy matches the finish chosen.
 3. Cable info: 22ga Type SVT Cable. 0.120" outer diameter. Rated to 300V & 105°C.

DESCRIPTION

Bruck's European and American Artisan, mouth-blown glass is known throughout the world for its quality and beauty. Offered with cutting edge LED technology along with several mounting options, colors and finishes allow for a unique design. Most of Bruck's mini-pendant glass allows for easy screw-on/screw-off for a simple installation or design change. Pendant L70 is 145,000 hours of operation.

HOUSING

The hardware is offered in matte chrome, bronze or chrome finish and seconds as the pendant thermal heatsink.

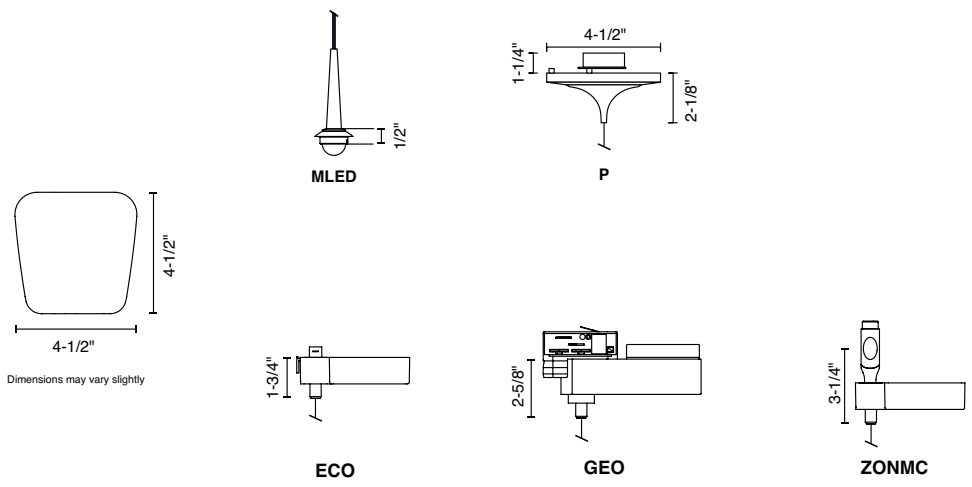
MOUNTING

- The pendant can be mounted from Bruck's field adjustable canopy. The standard overall cable length of 59" can be field-cut or specified when ordering. Overall cable length is measured and begins from top of canopy. See the decorative Junction Box Cover for open ceiling applications.
- Optional track mounting: Global Trac Systems, GEO track, ECO track / Halo® Power track, and Zonyx track. Overall cable length begins at the shoulder of the ECO/GEO adapter and the track center of the Zonyx adapter. Cable length measurement ends at the top of glass or to the mounting arms.
- Kevlar coated cable for easy cleaning, short circuit protection, no discoloration and fraying over time.

LISTINGS

- Listed to UL1598 and UL1574 (Suitable for dry locations only)
- Listed to CSA C22.2 #250.0 and #9.0

MOUNTING OPTIONS



LIGHT SOURCE

Light Source	MLED - Static White LED
Performance	
LED	Cree XHP50
Lumens	450lm
CCT	3000K or 3500K
SDCM	2-Step MacAdam Ellipse
CRI	>90
Lumen Maintenance	$L_{70} > 145,000$ hours
Technical Specs	
Socket Listing	<ul style="list-style-type: none"> • Integrated LED module • ETLus Listed to UL1598, and UL1574 (Suitable for dry locations only) • cETL Listed to CSA C22.2 #250.0 and #9.0
Mounting	
Canopy	<ul style="list-style-type: none"> • 120-277Vac, 50/60Hz input • 7.0W, 7.5VA • Tri-mode dimming (Triac, ELV and 0-10V) • Mount to 3-1/2" to 4" round J-Box • Short circuit protection • Thermal protection
Line Voltage Track	<ul style="list-style-type: none"> • 120Vac, 50/60Hz input • 7.0W, 7.5VA • Triac and ELV phase dimming • Connects to line voltage adapter (ECO, GEO, Zonyx)
Warranty	<ul style="list-style-type: none"> • 5 year limited fixture warranty